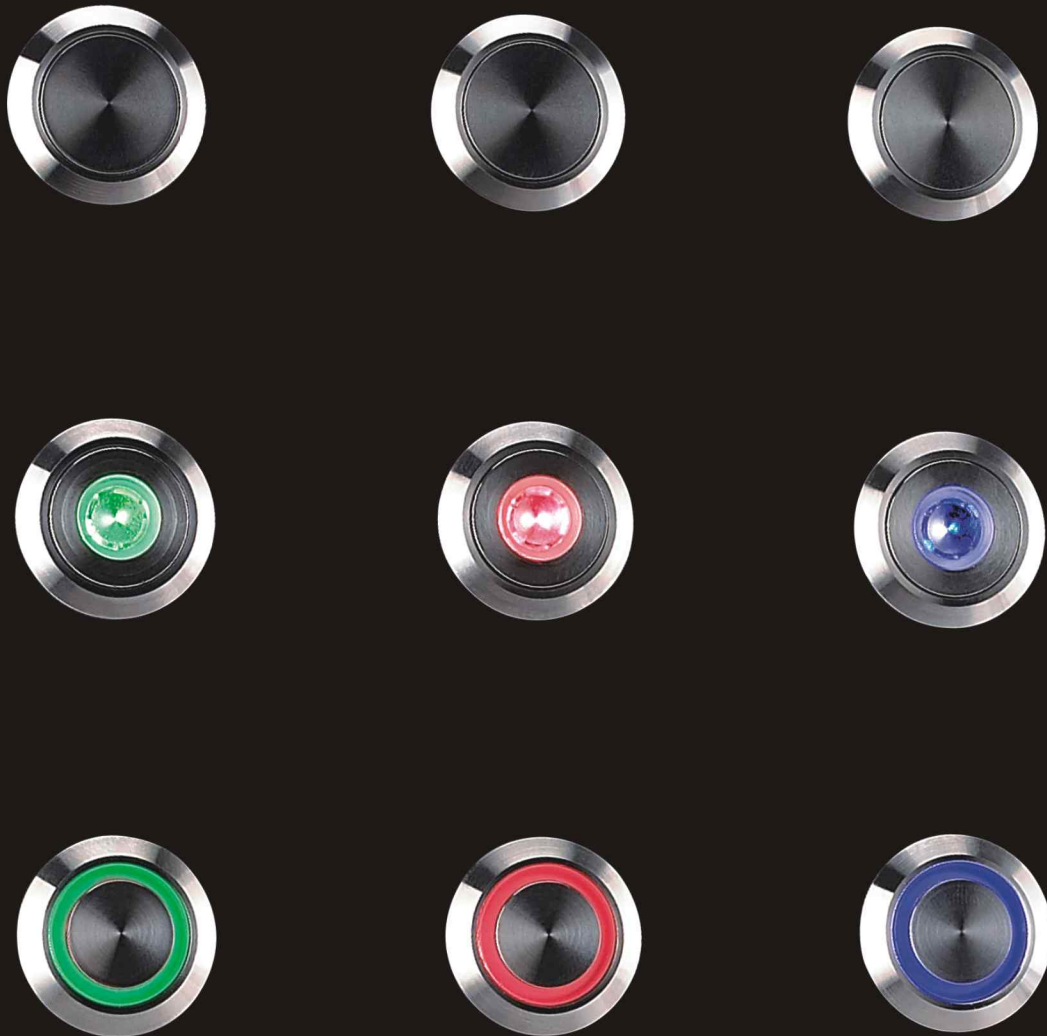




Contitec Electronics Ltd.  
Schatzbogeggn 33  
81829 Muenchen/Germany  
Tel. +49 89 99818630  
Fax. +49 89 2195075  
www.contitec.com



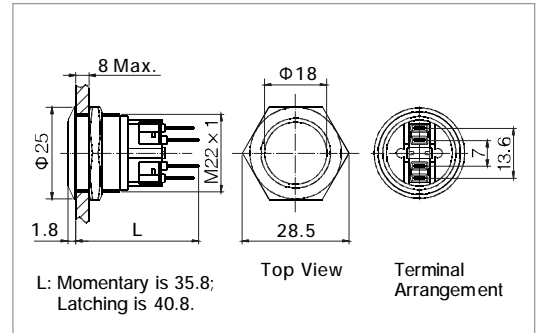
## PK22 + PK25 Series

**Anti-vandal push button**



- ⊙ Φ22mm Diameter
- ⊙ Switch Rating: 5A/250VAC
- ⊙ Contact Configuration:1NO1NC
- ⊙ Operation Type: Momentary/Latching
- ⊙ The Crust Material: Stainless Steel
- ⊙ IP Degree: Ip65, IK 10

PK 22-11 ■

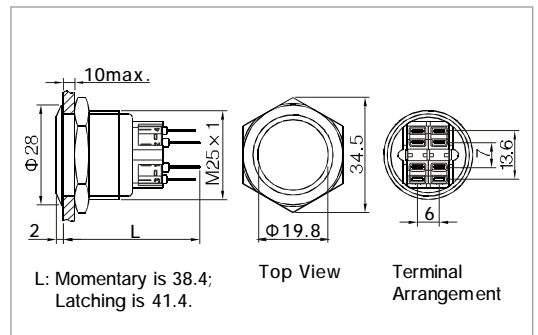


**Anti-vandal push button**



- ⊙ Φ25mm Diameter
- ⊙ Switch Rating: 5A/250VAC
- ⊙ Contact Configuration:1NO1NC/  
2NO2NC
- ⊙ Operation Type: Momentary/Latching
- ⊙ The Crust Material: Stainless Steel
- ⊙ IP Degree: IP65, IK 10

PK 25-□ ■

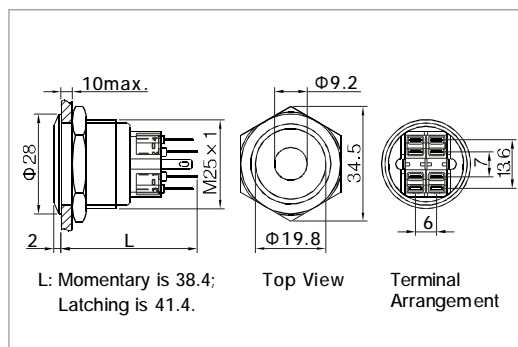


Specification	PK22	PK25
The Front Shape	Flat Round	Flat Round
Terminal Type	Pin Terminal(2.8×0.5mm)	Pin Terminal(2.8×0.5mm)
Switching	Za(double-break fast-motion changeover contact)	Za(double-break fast-motion changeover contact)
Max. Switch Rating	Ith:5A Ui:250VAC	Ith:5A Ui:250VAC
Contact Resistance	≤50mΩ	≤50mΩ
Insulation Resistance	≥1000MΩ	≥1000MΩ
Dielectric Intensity	2000VAC	2000VAC
Operating Temp	-20℃ ~ +55℃	-20℃ ~ +55℃
Mechanical Life	1,000,000 cycles	1,000,000 cycles
Electrical Life	50,000 cycles	50,000 cycles
Panel Thickness	1 ~ 6mm	1 ~ 6mm
Torque	5 ~ 14Nm	5 ~ 14Nm
Operation Pressure	About 5.5N	5.5 ~ 7N
Operation Travel	About 2.5mm	About 2.8mm
IP Degree	IP65,IK10	IP65,IK10
Material	Contact	Silver Alloy
	Button	Stainless Steel
	Body	Stainless Steel
	Base	PA
	RoHS	Made to order

Anti-vandal dot illuminated push button



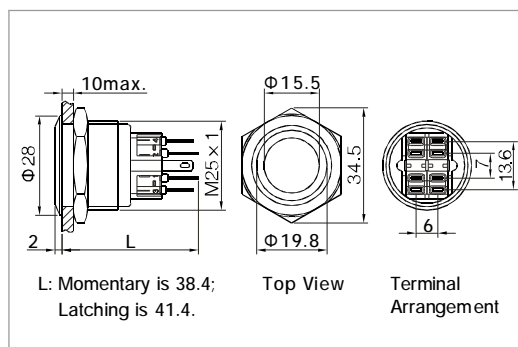
- ⊙ Φ 25mm Diameter
- ⊙ Switch Rating: 5A/250VAC
- ⊙ Contact Configuration: 1NO1NC/2NO2NC
- ⊙ Operation Type: Momentary/Latching
- ⊙ The Crust Material: Stainless Steel
- ⊙ Dot Illuminated
- ⊙ IP Degree: Ip65, IK10



Anti-vandal ring illuminated push button



- ⊙ Φ 25mm Diameter
- ⊙ Switch Rating: 5A/250VAC
- ⊙ Contact Configuration: 1NO1NC/2NO2NC
- ⊙ Operation Type: Momentary/Latching
- ⊙ The Crust Material: Stainless Steel
- ⊙ Ring Illuminated
- ⊙ IP Degree: IP65, IK10



Specification	PK25 □■D/Δ/▲	PK25 □■E/Δ/▲
The Front Shape	Flat Round	Flat Round
Terminal Type	Pin Terminal(2.8×0.5mm)	Pin Terminal(2.8×0.5mm)
Switching	Za(double-break fast-motion changeover contact)	Za(double-break fast-motion changeover contact)
Max. Switch Rating	Ith:5A Ui:250VAC	Ith:5A Ui:250VAC
Contact Resistance	≤50mΩ	≤50mΩ
Insulation Resistance	≥1000MΩ	≥1000MΩ
Dielectric Intensity	2000VAC	2000VAC
Operating Temp	-20°C ~ +55°C	-20°C ~ +55°C
Mechanical Life	1,000,000 cycles	1,000,000 cycles
Electrical Life	50,000 cycles	50,000 cycles
Panel Thickness	1 ~ 10mm	1 ~ 10mm
Torque	5 ~ 14Nm	5 ~ 14Nm
Operation Pressure	5.5 ~ 7N	5.5 ~ 7N
Operation Travel	About 2.8mm	About 2.8mm
IP Degree	IP65,IK10	IP65,IK10
Material	Contact	Silver Alloy
	Button	Stainless Steel
	Body	Stainless Steel
	Base	PA
	RoHS	Made to order
LED	Type	Dot Illuminated(LED)
	Rated Voltage	6V / 12V / 24V / 110V / 220V
Spec.	Color	R G Y O B W
	Life	40000 hours